

**WR2001/SR/GS  
M500KAC-GB  
Manual Call Points****GENERAL**

The **WR2001/SR/GS** and **M500KAC-GB** Manual Call Points are designed to provide a manual interface for causing an alarm on the fire alarm system.

The WR2001/SR/GS is designed for the NOTIFIER line of **conventional** control panels. The M500KAC-GB with LED is **addressable**, and includes a micro-module to provide an interface between the AM2020, AFP1010, AFC-600, AFP-400, AFP-300, AFP-200, AFP-100, NS-640 (CLIP only), NS-3030 (CLIP only), or System 5000.

**NOTE:** The System 5000 must be equipped with an AIM-200 module when the M500KAC-GB manual call point is used.

**FEATURES**

- The WR2001/SR/GS and M500KAC-GB Manual Call Points are easy to operate.
- Glass is used to reduce unwanted alarms.
- A protective plastic coating on the glass prevents operator injury and inhibits the release of glass fragments.
- A hammer is not required.
- **Testing is easy!** When the special test key is inserted, the glass drops and tests the switch.
- LED indicator on M500KAC-GB model.
- Provided with GS (Glass Substitute) Element, rigid plastic, for temporary use.

**APPLICATIONS**

May be used in commercial, institutional, industrial, and residential applications. Meets EN 54.

**B.S. Requirement:** In order to comply with requirement BS5839: Part 2:1983, manual call points may only be supplied for use on voltages greater than "extra-low voltage" if they are provided with or are intended to be fitted to a metal mounting box or are supplied complete with Continuity Link KL1.

**Lloyds Register of Shipping:** Listed to Environmental Categories ENV1 and ENV2.

The WR2001/SR/GS and M500KAC-GB call points are **not** UL listed.

**CONSTRUCTION & OPERATION**

The switch is held off by the "edge" of the glass. When the glass is broken, the switch is released. This eliminates the risk of false alarms caused by glasses breaking on their own and of glass fragments preventing the switch from moving to the operated position.

**Loss Prevention Certification Board (LPCB)**

BS5839:Part 2:1983  
Certificate No. 166a



ENV1, ENV2:  
97.00105

**HONG KONG**

**Fire Services Dept.  
Fire Protection Board**  
Certificate FPB 206/0597



**M500KAC-GB  
with LED**



**WR2001/SR/GS**

**Testing:** When a key is inserted, the glass drops and tests the switch. **Do not** leave the test key with the Manual Call Point after commissioning.

NOTIFIER<sup>®</sup> is a Honeywell company.

This document is not intended to be used for installation purposes. We try to keep our product information up-to-date and accurate. We cannot cover all specific applications or anticipate all requirements. All specifications are subject to change without notice. For more information, contact NOTIFIER. Phone: (203) 484-7161 FAX: (203) 484-7118



12 Clintonville Road, Northford, Connecticut 06472

**ISO 9001  
CERTIFIED**  
ENGINEERING & MANUFACTURING  
QUALITY SYSTEMS

## PHYSICAL SPECIFICATIONS

**Size:** 8.7 cm high x 8.7 cm wide x 3.3 cm deep (3.425" high x 3.425" wide x 1.291" deep).

**Material:** modified polyphenylene oxide.

**Color:** red.

**Weight:** 125 grams (4.41 oz.).

## ELECTRICAL SPECIFICATIONS

The microswitch has silver contacts. Maximum contact resistance 50 milliohms. Minimum recommended voltage 12 volts AC or DC. Where AC current/voltage is quoted, frequency is 45/65 Hz. Single-pole changeover switching.

### Maximum voltages and currents for resistive loads:

5.0 A, 30 VDC resistive.

3.0 A, 30 VDC inductive.

## INSTALLATION

Screw terminals are provided for easy wiring on WR2001/SR/GS. Flying leads are provided on M500KAC-GB.

When supplied with the manual call points, the packing box for the surface-mount box has a tear-off template for locating cable entry holes.

## CABLE TERMINATION

Terminals are designed for one conductor per terminal, maximum 0.25 square cm cross-sectional area.

## PRODUCT LINE INFORMATION

**WR2001/SR/GS:** Conventional manual call point with surface-mount box, for indoor use. Fitted with switch-type "indoor," features single-pole changeover switching.

- **SR** in the model number indicates a red plastic surface-mount box, included in the WR2001/SR/GS. The SR box is constructed of the same material as the manual call point. The SR box ships with plain sides; cable entry holes can be easily cut using the hole-cutting template provided on the packaging.

- **GS** in the model number indicates a GS (Glass Substitute) Element, a rigid plastic temporary substitute for the break-glass operating element. The manual call point is shipped with the GS Element installed. This is to prevent breakage of the Glass Element during shipment and to clearly indicate the call point is not operational. After the call point is properly installed and commissioning, the GS Element must be replaced before the call point becomes functional. Glass Elements are ordered separately in packages of 10 glasses, part number **KG1/N10**.

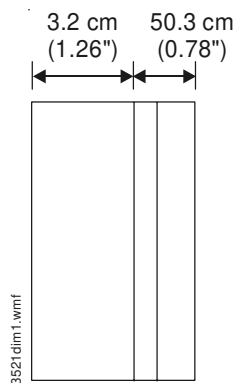
**M500KAC-GB:** Addressable manual call point. Includes micro for use with AM2020, AFP1010, AFC-600, AFP-400, AFP-300, AFP-200, AFP-100, NS-640 (CLIP only), NS-3030 (CLIP only) or System 5000. **Note:** System 5000 must be equipped with an AIM-200 module. Glass not included (order **KG1/N10**).

**KG1/N10:** NOTIFIER glass. Package of 10.

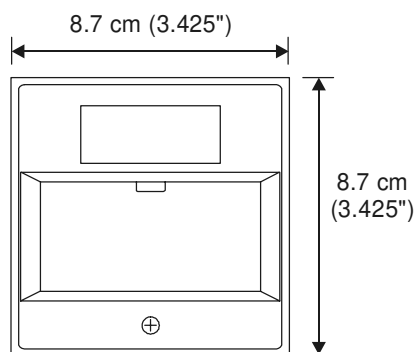
**SR3T:** Surface-mounting callpoint backbox.

**ETT-P:** Flush-mounting callpoint terminal tray.

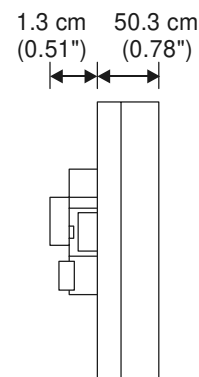
## DIMENSIONS



Call Point on  
SR backbox



Front View



Side View of  
Call Point

## ZENSITEC

Seguridad, Medio Ambiente y Energía

Hipólito Yrigoyen 1920, 2° "A"

(C1086AAL) Buenos Aires - Argentina

Tel.: (54-11) 3221-1064 // 4951-9107

Email: [zensitec@zensitec.com.ar](mailto:zensitec@zensitec.com.ar)

Web: [www.zensitec.com.ar](http://www.zensitec.com.ar)